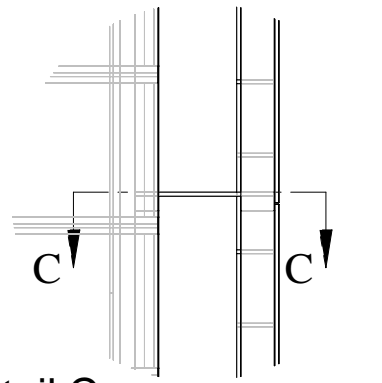
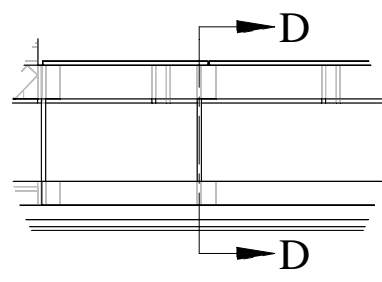


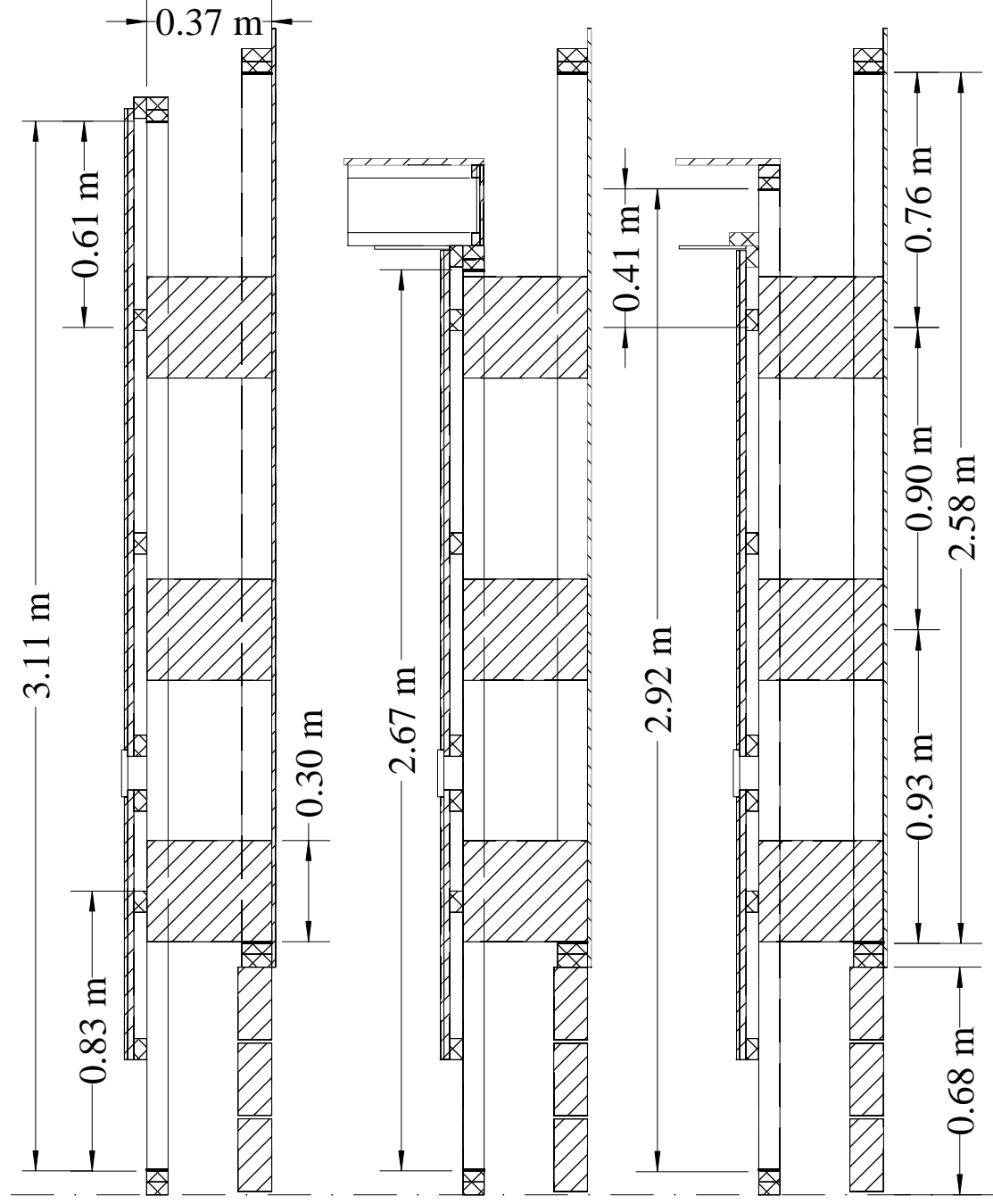
Detail B



Detail C



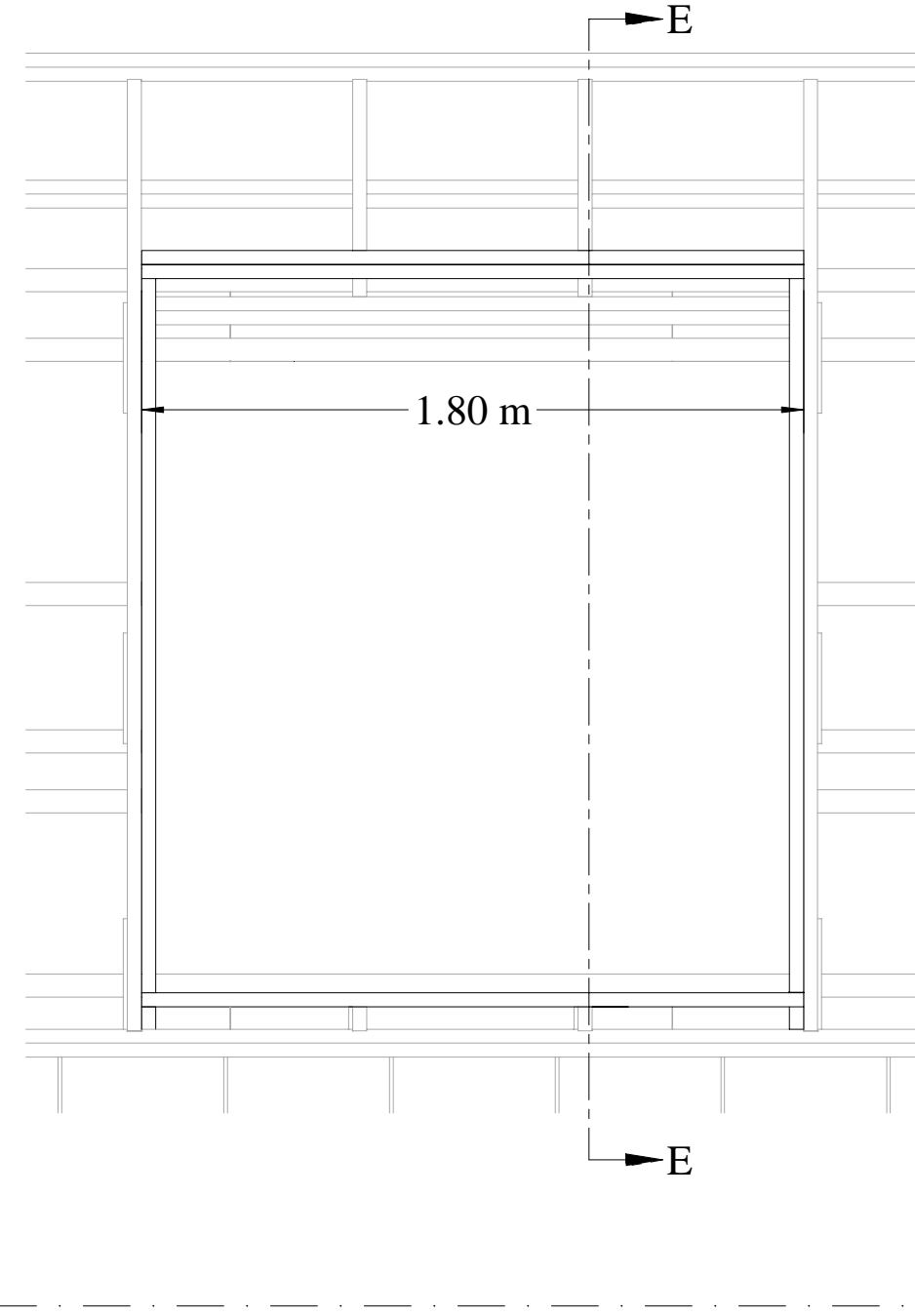
Detail D



Great Room Section B-B

Supporting Joists Section C-C

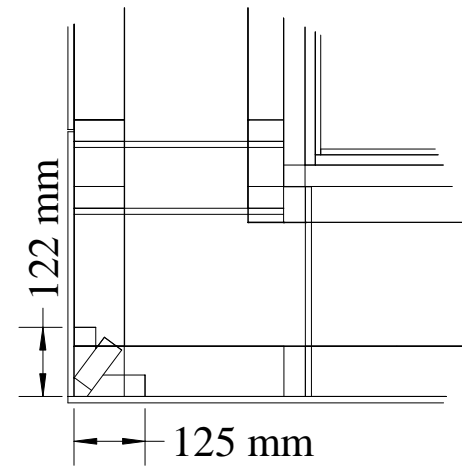
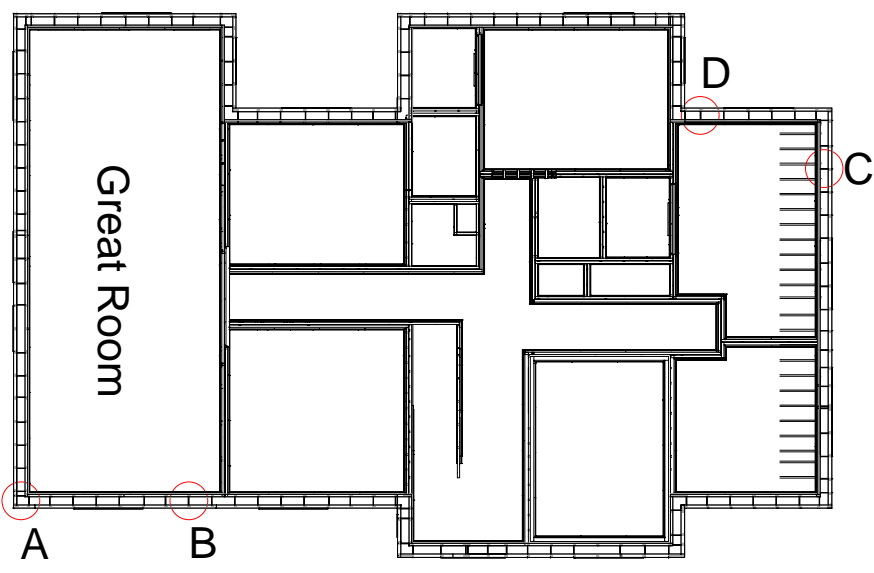
Not Supporting Joists Section D-D



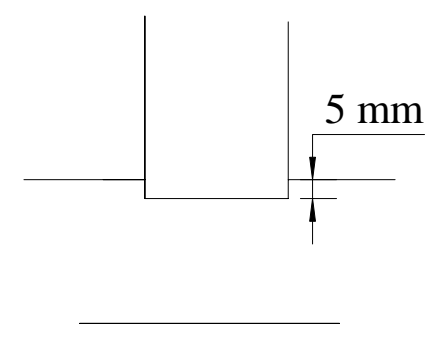
Window Framing (1.8m)



Section E-E



Detail A



All studs are housed in a 5mm deep slot in the header/footer

'Roselea' Smiths Loke
Bradwell, Gt. Yarmouth NR31 8DG

TITLE
External Wall Framing Details

SIZE A3	DATE 10/04/13	DRAWN BY Stephen McGarry	REV 1.0
SCALE	SHEET		18